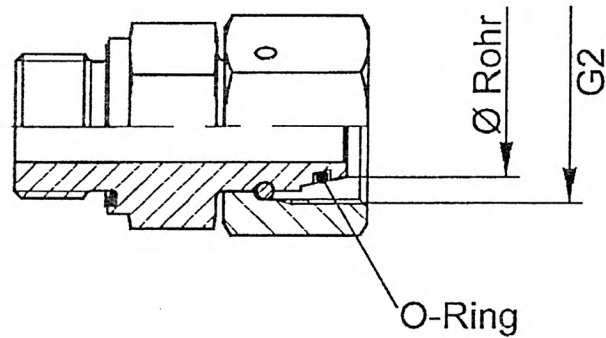


O-RING – HOSE CONNECTION
 O-RING – SCHLAUCHANSCHLUSS
 JOINT TORIQUE – CONNEXION FLEXIBLE

Figure
 Bild
 Figure

3220-03



Tube Ø Rohr Tube	G2	Part No. Teil-Nr. Pièce No.	O-Ring O-Ring Joint torique	Hose size Schlauchgröße Dimension flexible
10X1,0	M16X1,5	997-011-85855	7,5X1,5	DN 8
10X1,5	M18X1,5	997-011-85855	7,5X1,5	DN 8
12X1,5	M18X1,5	997-084-12313	9,0X1,5	DN 10
15X1,5	M22X1,5	997-004-25398	12,0X2,0	DN 12
16X2,0	M24X1,5	997-004-25398	12,0X2,0	DN 12
18X1,5	M26X1,5	997-008-06064	15,0X2,0	DN 16
20X2,5	M30X2,0	997-007-18265	16,3X2,4	DN 16
22X1,5	M30X2,0	997-006-60129	20,0X2,0	DN 20
28X2,0	M36X2,0	997-084-02605	26,0X2,0	DN 25
35X2,0	M45X2,0	997-041-49495	32,0X2,5	DN 32
42X2,0	M52X2,0	997-002-43513	38,0X2,5	DN 40